

Latches with cabinet "U" handle

with cam latch

SPECIFICATION

Types

- Type **DK**: Operation with triangular spindle (DK7)
- Type **VK7**: Operation with square spindle A/F7
- Type **VK8**: Operation with square spindle A/F8
- Type **VDE**: Operation with double bit

Cabinet "U" handle

Zinc die casting
plastic coated
black, RAL 9005, textured finish **SW**
silver, RAL 9006, textured finish **SR**

Cam latch

Sheet Steel
zinc plated, blue passivated

Distance piece

Aluminium

other parts

Steel
zinc plated, blue passivated

INFORMATION

Latches with cabinet "U" handle GN 119.3 are used when the application requires both a locking mechanism and a handle.

The cabinet "U" handle with integrated lock is an attractively designed and cost-effective solution.

Latches GN 119.3 have a pulling-in range of 10 mm. Locking is achieved by turning the latch clockwise.

TECHNICAL INFORMATION

- List of latch types (see page 1456)

ACCESSORY

- Socket keys GN 119.2 (see page 1530)



TECHNICAL AND ASSEMBLY INSTRUCTIONS

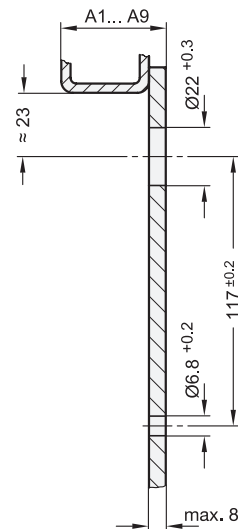
By turning the latch clockwise the stepped cam latch moves up behind the door frame and pulls the door in.

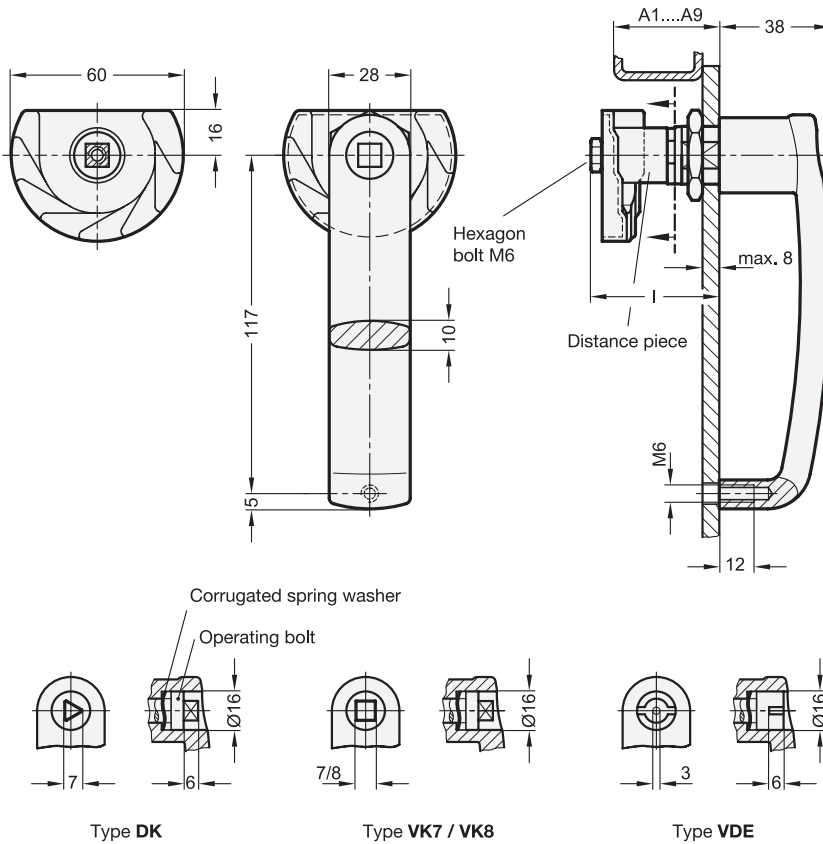
The large pulling-in range of the cam (10 mm) allows these locks to be used successfully on doors with sealing strips. When selecting clamping range 'A' the thickness of the door seal might have to be taken into consideration.

To fit the lock, the door will have to be provided with two holes as per sketch shown at a distance from the door frame to hole center of 23 mm.

The spigot (M22x1.5) has 4 surfaces, allowing the cabinet "U" handle also to be used with the standard bore holes of door latches GN 119 (see page 1482).

The lock housing with the preassembled operating bolt is fitted into the hole from the front and held in position with the hexagon nut. The distance piece and the cam latch are then fitted at the rear and fixed with the hexagon nut.





* Complete with type index of the latch
DK VK7 VK8 VDE

GN 119.3

Description	Clamping range A	Clamping range	⚖
GN 119.3-*-A1-SR	A 1 (l=35)	17 - 25	424
GN 119.3-*-A1-SW	A 1 (l=35)	17 - 25	419
GN 119.3-*-A2-SR	A 2 (l=40)	22 - 30	431
GN 119.3-*-A2-SW	A 2 (l=40)	22 - 30	431
GN 119.3-*-A3-SR	A 3 (l=45)	27 - 35	441
GN 119.3-*-A3-SW	A 3 (l=45)	27 - 35	441
GN 119.3-*-A4-SR	A 4 (l=50)	32 - 40	451
GN 119.3-*-A4-SW	A 4 (l=50)	32 - 40	453
GN 119.3-*-A5-SR	A 5 (l=55)	37 - 45	463
GN 119.3-*-A5-SW	A 5 (l=55)	37 - 45	465
GN 119.3-*-A6-SR	A 6 (l=60)	42 - 50	472
GN 119.3-*-A6-SW	A 6 (l=60)	42 - 50	473
GN 119.3-*-A7-SR	A 7 (l=65)	47 - 55	484
GN 119.3-*-A7-SW	A 7 (l=65)	47 - 55	485
GN 119.3-*-A8-SR	A 8 (l=70)	52 - 60	494
GN 119.3-*-A8-SW	A 8 (l=70)	52 - 60	494
GN 119.3-*-A9-SR	A 9 (l=75)	57 - 65	496
GN 119.3-*-A9-SW	A 9 (l=75)	57 - 65	496

Weight type DK

